

## DECORATIVE INDOOR BULKHEAD

### Product Features

- Polycarbonate housing with an IP54 rating
- Ideal for residential applications including bathrooms
- Supplied with white and polished chrome interchangeable bezels



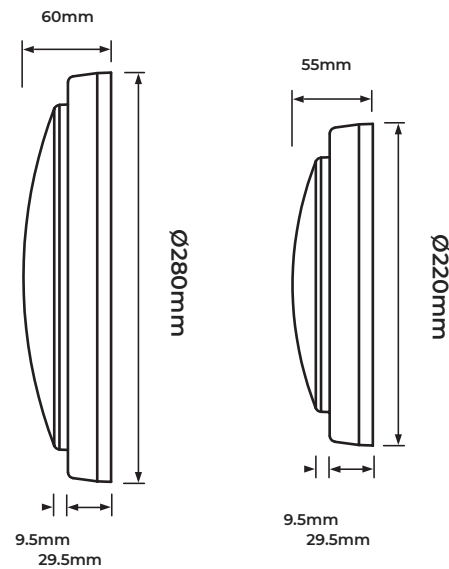
CAT NO.	SIZE	LUMINAIRE LUMENS	WATTAGE
EBH22S40	Ø220mm	1300	14W
EBH28S40	Ø280mm	1650	17W

### Product Drawing



Chrome Bezel

White Bezel



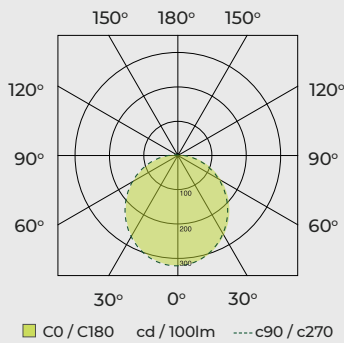
CAT NO.	WEIGHT (kg)	EFFICACY (lm/W)	CRI	FREQUENCY (Hz)	IK RATING	TEMP RANGE (°C)	AMBIENT TEMP RATED LIFE (°C)	L/B RATED LIFE
EBH22S40	0.5	92	>80	50-60	IK04	-20 to +25	25	L70 / B50
EBH28S40	0.8	97	>80	50-60	IK04	-20 to +25	25	L70 / B50

## EBH22S40

### Luminaire Performance

Light Output Ratio: 99.89%  
 Luminaire Efficacy: 92.75 lm/W  
 Light Distribution: A41±97.9%±2.1%  
 CIE Flux Codes: 44 74 92 98 100  
 UGR 4H 8H  
 (20%, 50%, 70%) C0 / C90: 26.8 / 26.9

### Luminous Intensity

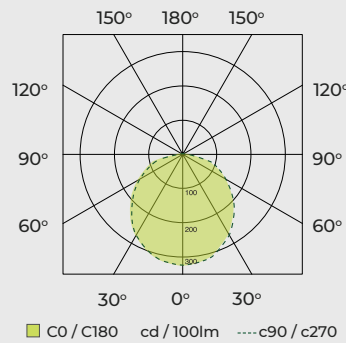


## EHB28S40

### Luminaire Performance

Light Output Ratio: 100%  
 Luminaire Efficacy: 97.06 lm/W  
 Light Distribution: A41±97.9%±2.1%  
 CIE Flux Codes: 44 75 92 98 100  
 UGR 4H 8H  
 (20%, 50%, 70%) C0 / C90: 25.2 / 25.2

### Luminous Intensity



STANDARD	DESCRIPTION
EN 60598-1	Luminaires – General requirements
EN 60598-2-1	Luminaires – Fixed general purpose
EN 61000-3-2	Electromagnetic compatibility (EMC) – Part 3-2: Limits – for harmonic current emissions
EN 61000-3-3	Limits – Limitation of voltage changes, voltage fluctuations and flicker in public low-voltage supply systems, for equipment with rated current ≤ 16 A per phase and not subject to conditional connection
EN 61547	Equipment for general lighting purposes – EMC immunity requirements
EN 55015	Limits and methods of measurement of radio disturbance characteristics of electrical lighting and similar equipment

**LUCECO**

This luminaire contains built-in LED lamps.

A++
A+
A
B
C
D
E

} LED

The lamps cannot be changed in the luminaire.

874/2012

